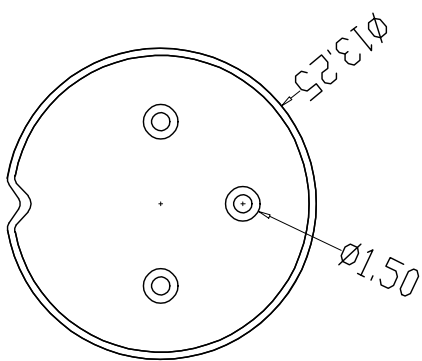
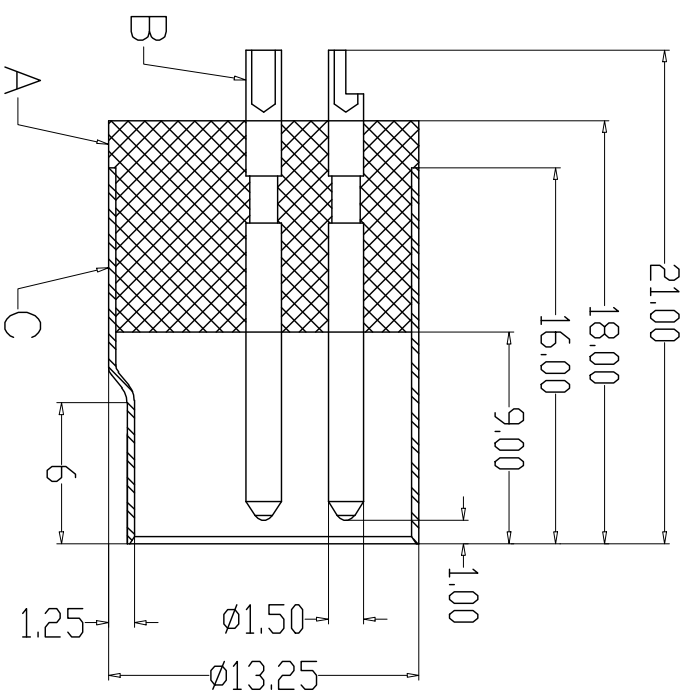
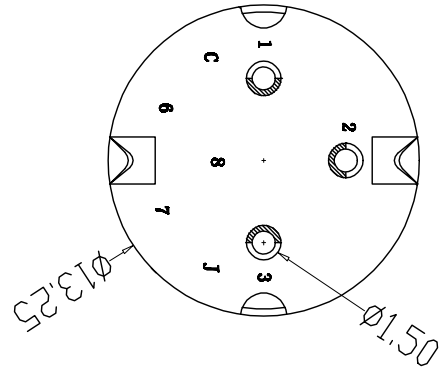


A	1	2	3	4	6	7	8		
B	3P 180°	4P 220°	5P 180°	5P 240°	6P 240°	7P 270°	8P 262°	8P 270°	9P 360°



由 Autodesk 教育版产品制作

由 Autodesk 教育版产品制作

G	Engagement force	≤60N	Rated voltage	30V	A	HOUSING	PBT+GF	BLACK	1
G	Disengagement force	≥15N	Rated current	7.5A	B	CONTACT	BRASS	NICKL PLATED	3*9
G	Mechanical lifespan	≥2000	Insulation resistance	≥1000MΩ	C	SHELL	BRASS	NICKL PLATED	1
H	IP rating		Contact resistance	≤10mΩ	D				
H	Flammability	UL94 V-0	Operation Temperature	-40° C~105° C	E				

Dongguan Changjun Electronics Co., Ltd
 东莞市昌骏电子有限公司

TITLE:	30V 9芯母座插头 长柄
PART NO.:	CF-DIN(3*9)-M02
SCALE:	1:1
UNIT:	mm
SIZE:	AA
REV:	A/0
DRAWN:	Xie Fenjun
CHECK:	Long Jichang
DATE:	2022-01-05

由 Autodesk 教育版产品制作