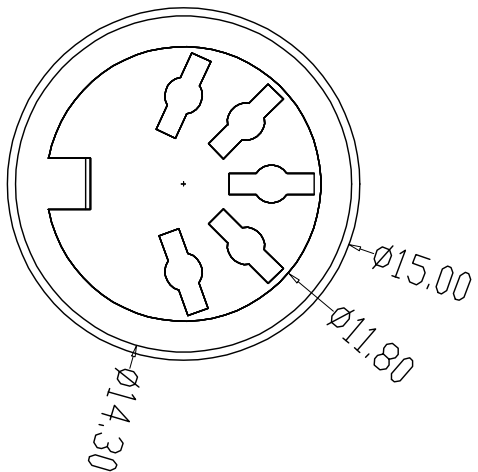
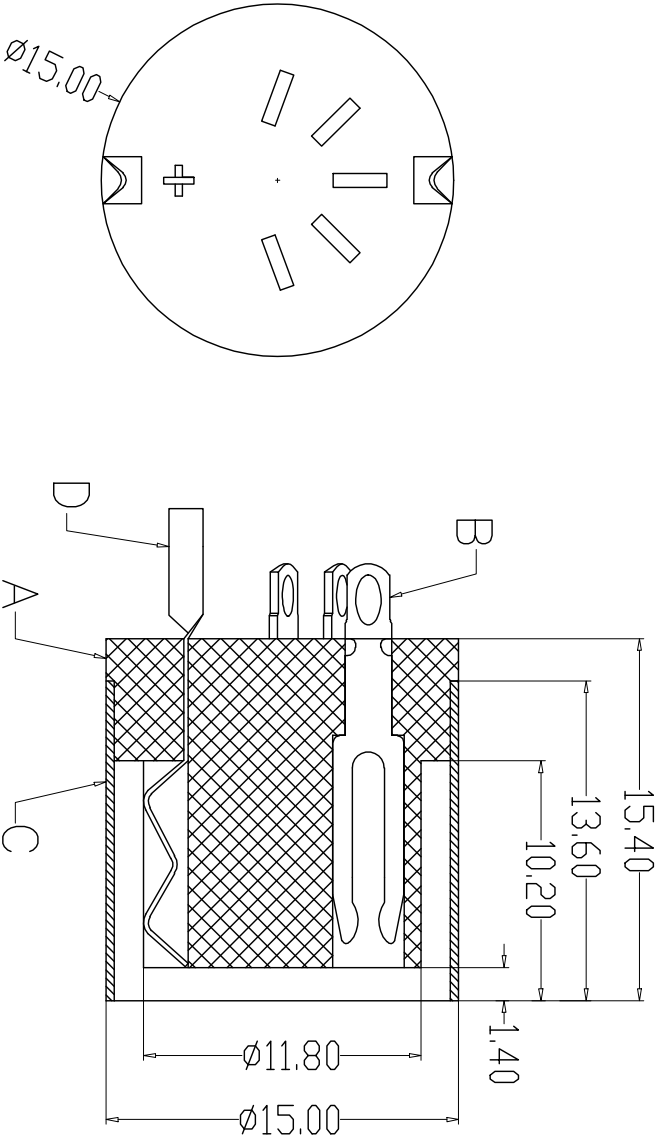


A	1	2	3	4	5	6	7	8
	3P 180°	4P 240°	5P 180°	5P 240°	6P 240°	7P 270°	8P 270°	8P 262°



由 Autodesk 教育版产品制作

由 Autodesk 教育版产品制作

G	Engagement force	≤60N	Rated voltage	30V
	Disengagement force	≥15N	Rated current	7.5A
	Mechanical lifespan	≥2000	Insulation resistance	≥1000M Ω
H	IP rating		Contact resistance	≤10m Ω
	Flammability	UL94 V-0	Operation Temperature	-40° C~105° C

PARTS	MATERIALS	TREATMENT	AMOUNT
A HOUSING	PBT+GF	BLACK	1
B CONTACT	BRASS	NICKL PLATED	3*8
C SHELL	BRASS	NICKL PLATED	1
D GROUND WIRE	BRONZE	NICKL PLATED	1

Dongguan Changjun Electronics Co., Ltd
东莞市昌骏电子有限公司

标题: 插座*数据插头

TOLERANCE	±0.05
.xxx	±0.10
.xx	±0.20
.x	±0.50
∠	±1°
DRAWN:	Xie Wenjun
CHECK:	Long Jichang
DATE:	2022-01-05