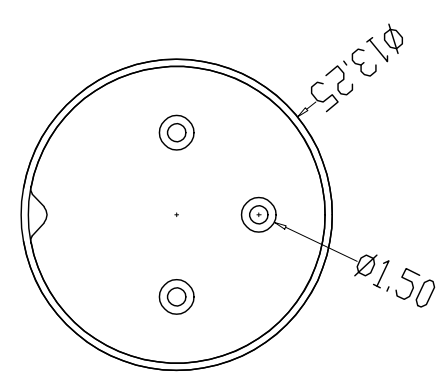
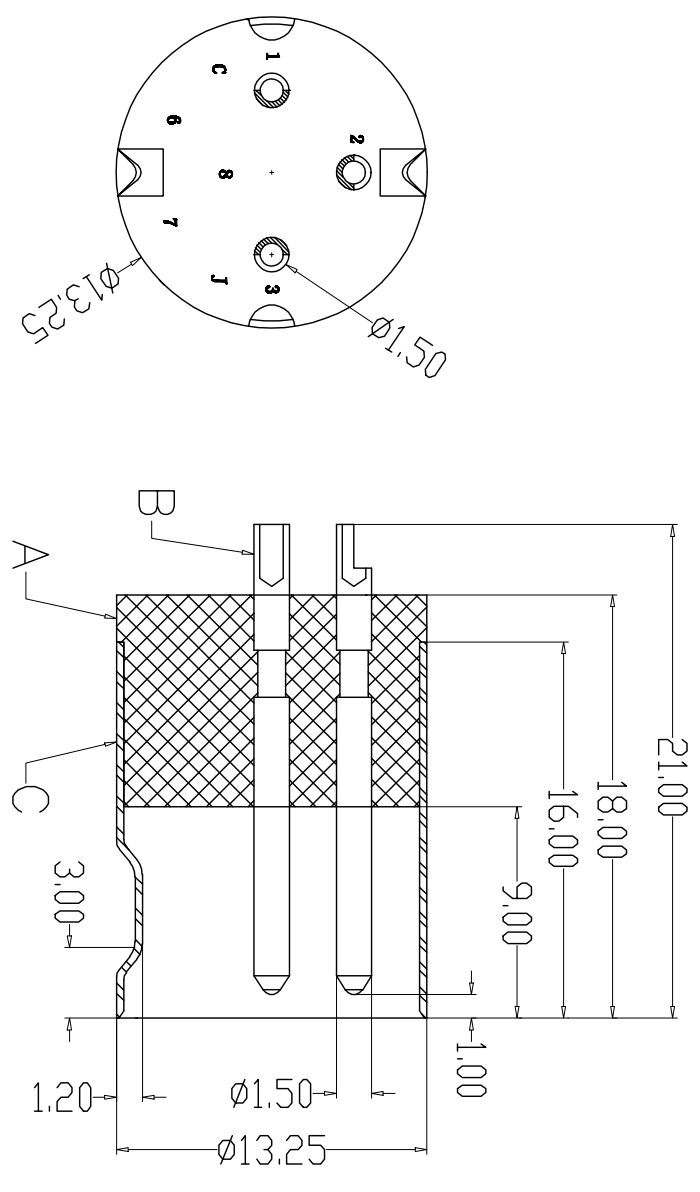


A	1	2	3	4	5	6	7	8
	3P 180°	4P 220°	5P 180°	5P 240°	6P 240°	7P 270°	8P 262°	8P 270°



由 Autodesk 教育版产品制作

PARTS	MATERIALS	TREATMENT	AMOUNT
A HOUSING	PBT+GF	BLACK	1
B CONTACT	BRASS	NICKEL PLATED	3*8
C SHELL	BRASS	NICKEL PLATED	1
D			
E			
F			

Engagement force	≤60N	Rated voltage	30V
Disengagement force	≥15N	Rated current	7.5A
Mechanical lifespan	≥2000	Insulation resistance	≥1000M $\Omega$
IP rating		Contact resistance	≤10m $\Omega$
Flammability	UL94 V-0	Operation Temperature	-40° C~105° C

**Dongguan Changjun Electronics Co., Ltd**  
**东莞市昌骏电子有限公司**

TOLERANCE	.xxx	±0.05
	.xx	±0.10
	.x	±0.20
ANGLE	±1°	±0.50

TITLE:	端子*密封插头 结构
PART NO.:	CP-DIN001
DRIVING NO.:	CP-DIN001
SCALE:	1:1
UNIT:	mm
SIZE:	AA
REV:	A/0
DATE:	2022-01-05