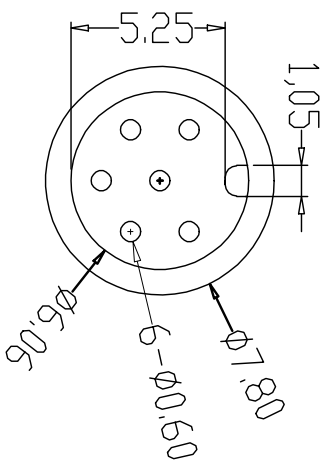
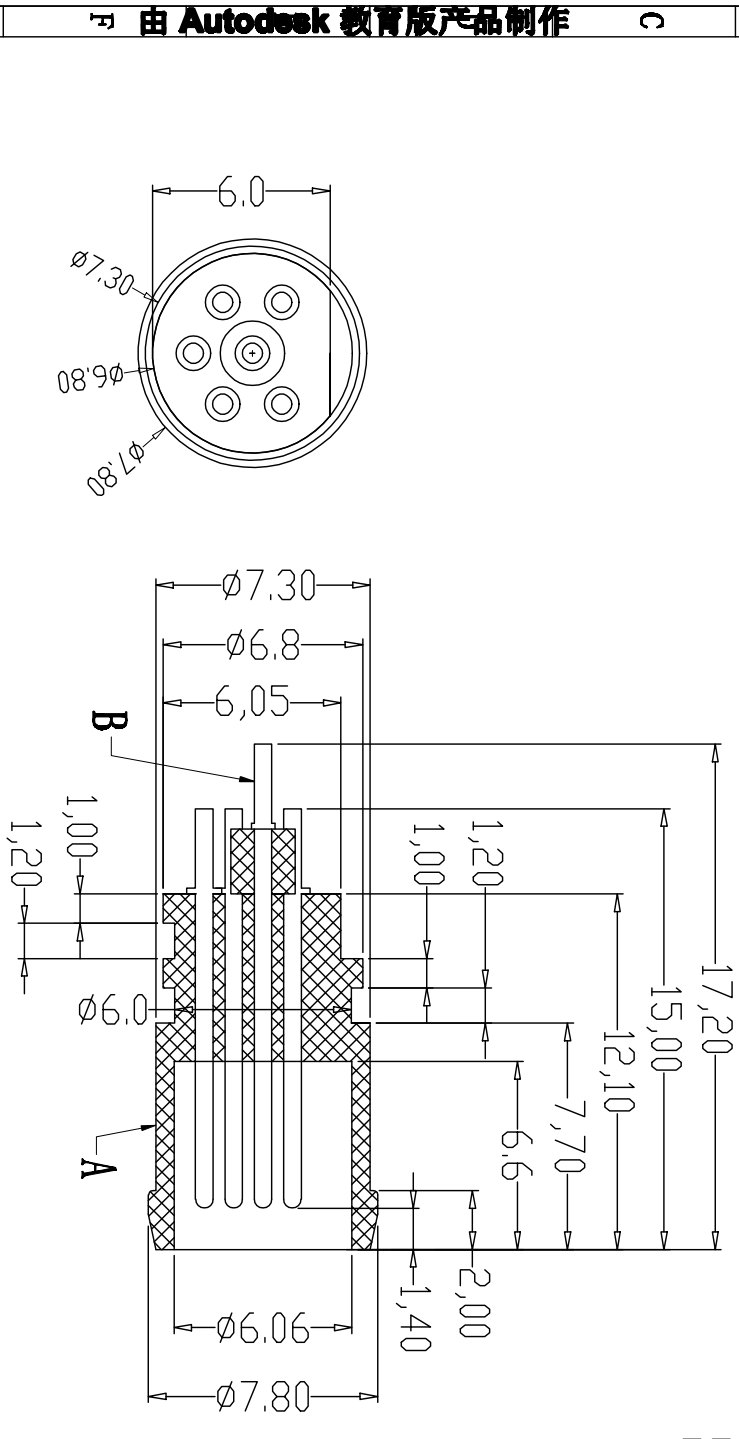
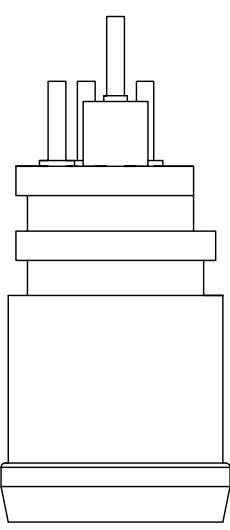


A	1	2	3	4	5	6
	2pin	3pin	4pin	5pin	6pin	
B	RED	YELLOW	BLUE	GREEN	BLACK	



由 Autodesk 教育版产品制作

由 Autodesk 教育版产品制作

PARTS	MATERIALS	TREATMENT	AMOUNT
A HOUSING	PBT+GF	SPECIFY COLOR	1
B CONTACT	BRASS	GOLD PLATED	2*6

Engagement force	≤20N	Rated voltage	30V
Disengagement force	≥5N	Rated current	2A
Mechanical lifespan	≥500	Insulation resistance	≥1000M Ω
IP rating	IP65/IP67	Contact resistance	≤10m Ω
Flammability	UL94 V-0	Operation Temperature	-40° C~105° C

Dongguan Changjun Electronics Co., LTD		TITLE:	
东莞市昌骏电子有限公司		规格: mini防水型接插公头	
PART NO: CJ-MSBT(2*6)-M01		DRAWING NO.:	
SHEET: 1 / 1		SCALE: 1 : 1	
DRAWN: Xie Wenjun		CHECKS: Long Jichang	
DATE: 2022-01-05		UNIT: mm	
SIZE: A4		REV: A/0	