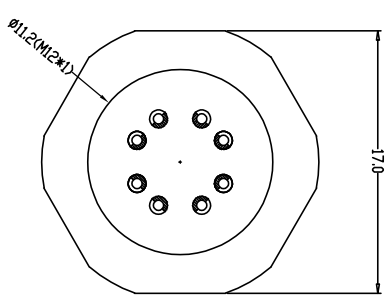
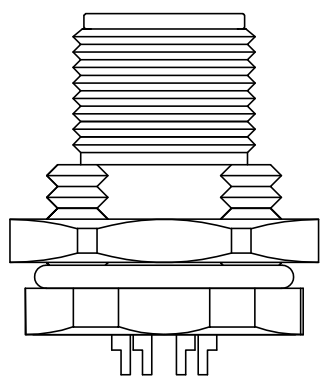
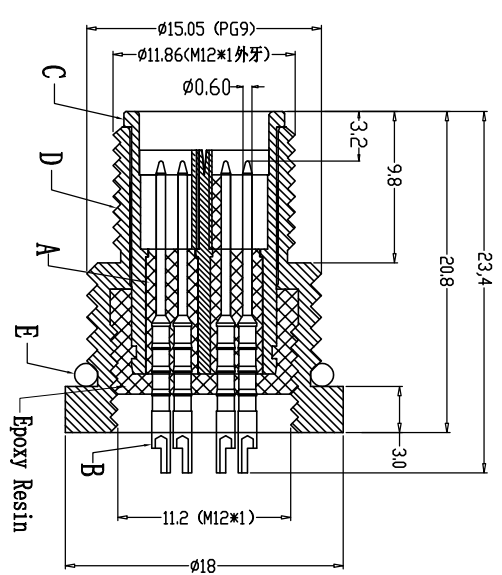
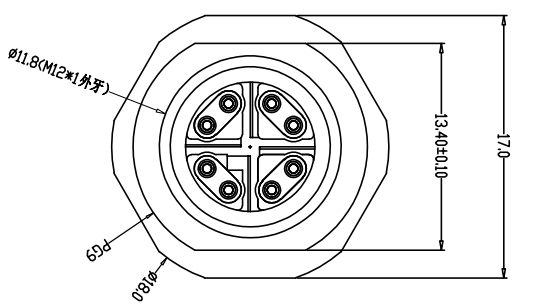
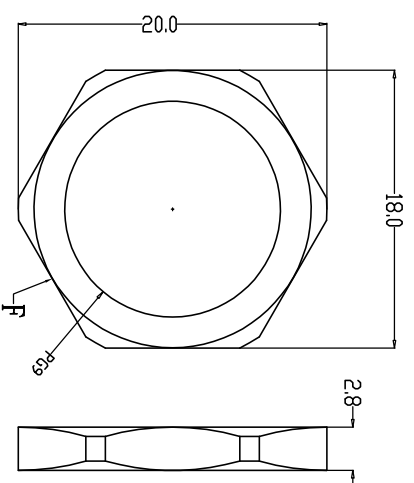
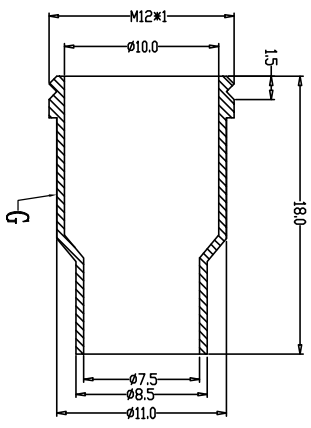
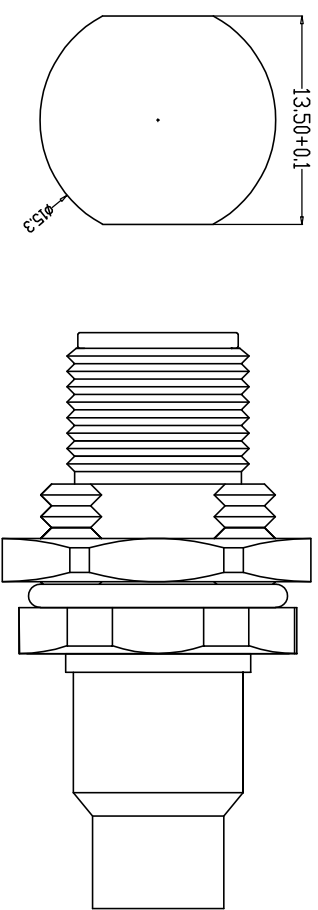


Recommended Panel Cut-out



PARTS	MATERIALS	TREATMENT	AMOUNT
A HOUSING	PA66+GF	SPECIFY COLOR	1
B CONTACT	BRASS	GOLD PLATED	8
C OUTER CONTACT	ZINC ALLOY	NICKL PLATED	1
D OUTER CONTACT	BRASS	NICKL PLATED	1
E O-RING	EPDM	SPECIFY COLOR	1
F NUT	BRASS	NICKL PLATED	1
G SHIELD	BRASS	NICKL PLATED	1

Dongguan Changjun Electronics Co., LTD	
东莞市昌俊电子有限公司	
TITLE:	M12防水8P线端公头X-CODE 前锁面板式PG9 SW177+
PART NO.:	CJ-M12XXX8X-M16-PG9SM17+
DRAWING NO.:	CP-M120322
SHEET:	1 / 1
SCALE:	1 : 1
UNIT:	mm
SIZE:	A4
REV:	A/0

Engagement force	≤ 50N	Rated voltage	48V
Disengagement force	≥ 10N	Rated current	0.5A
Mechanical lifespan	≥ 500	Insulation resistance	≥ 1000M Ω
IP rating	IP67/IP68	Contact resistance	≤ 10m Ω
Flammability	UL94 V-0	Operation Temperature	-40° C ~ 105° C

1	2	3	4	5	6
---	---	---	---	---	---

1	2	3	4	5	6
---	---	---	---	---	---

TOLERANCE	±0.05 ±0.10 ±0.30 ±0.50
ANGLE	±1°
DRAWN:	Xie Wenjun
CHECK:	Long Jichang
DATE:	2023-04-11