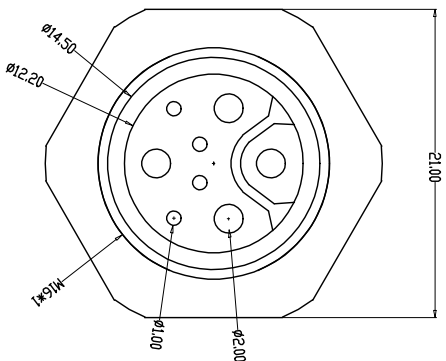
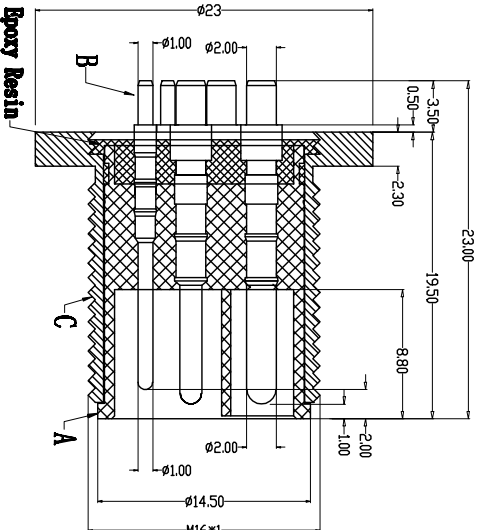
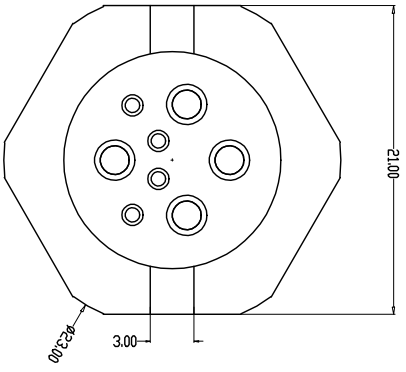
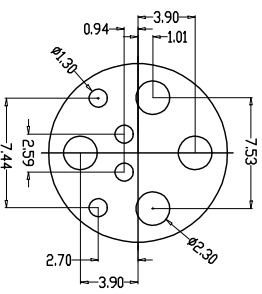
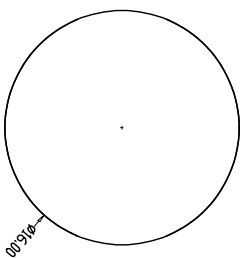
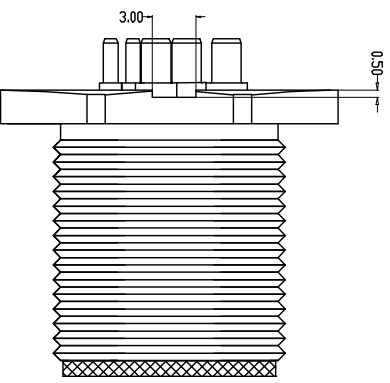


Recommended Panel Cut-out

PCB Layout Reference



由 Autodesk 教育版产品制作

要求:  
1: 灌胶后, 插头不能有松动现象。  
2: AB胶水需耐波峰焊高温。

Engagement force	Rated voltage	Rated current	Rated insulation resistance	Contact resistance	Operation Temperature
≤60N	4P18-60V	4P18-20A	4P18-5M	≤10mΩ	-40° C~105° C
Disengagement force	Rated voltage	Rated current	Rated insulation resistance	Contact resistance <td>Operation Temperature</td>	Operation Temperature
≥20N	4P18-60V	4P18-20A	4P18-5M	≤10mΩ	-40° C~105° C
Mechanical lifespan	Rated voltage	Rated current	Rated insulation resistance	Contact resistance <td>Operation Temperature</td>	Operation Temperature
≥500	4P18-60V	4P18-20A	4P18-5M	≤10mΩ	-40° C~105° C
IP rating	Rated voltage	Rated current	Rated insulation resistance	Contact resistance <td>Operation Temperature</td>	Operation Temperature
IP67/IP68	4P18-60V	4P18-20A	4P18-5M	≤10mΩ	-40° C~105° C
Flammability	Rated voltage	Rated current	Rated insulation resistance	Contact resistance <td>Operation Temperature</td>	Operation Temperature
UL94 V-0	4P18-60V	4P18-20A	4P18-5M	≤10mΩ	-40° C~105° C

Dongguan Junhao Interconnection Technology Co., Ltd		东莞市俊豪互联科技有限公司	
TITLE: H18防水座(4+4)板端公头 背焊面版本H18-SR21-2XL		DRAWING NO.: CP-H160002	
PART NO: H18-010		SCALE: 1:1	
SHEET: 1/1		UNITS: mm	
DRAWN: Xie Fenjun		CHECKED: Long Jibang	
DATE: 2022-08-08		REV: A/0	

由 Autodesk 教育版产品制作