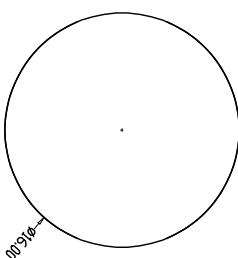
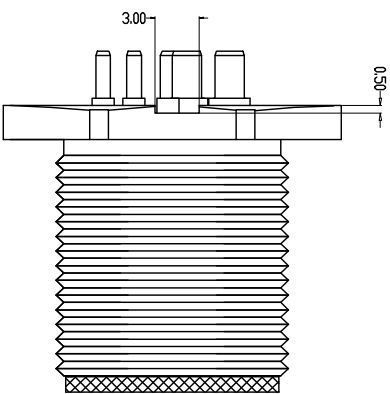
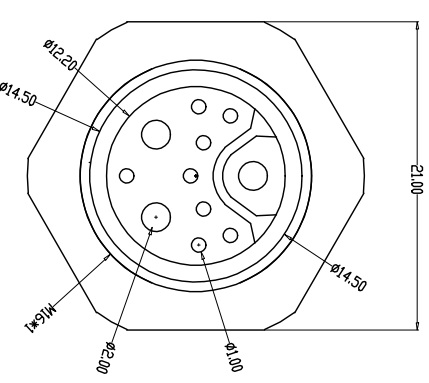
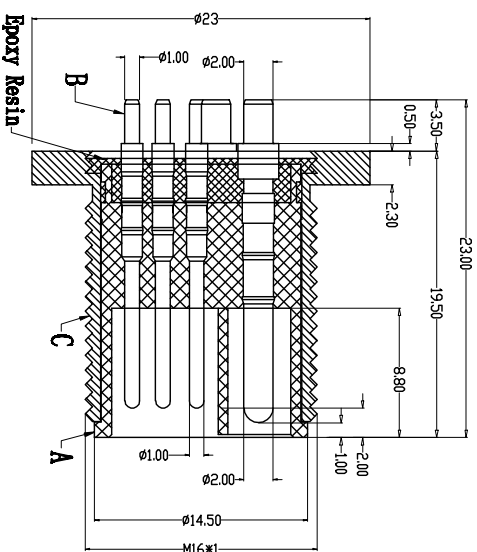
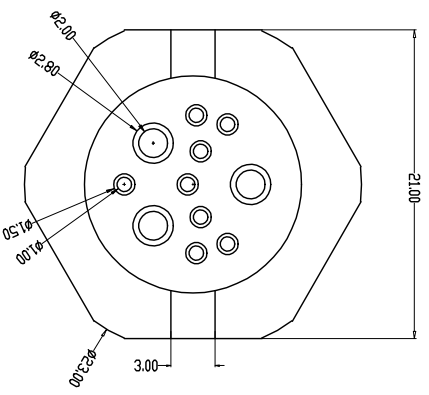
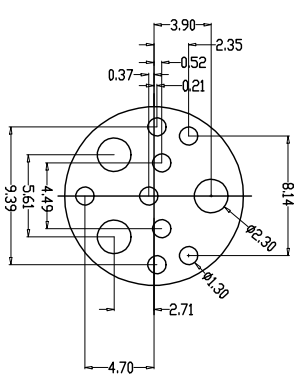


Recommended Panel Cut-out



PCB Layout Reference



- 要求:
- 1: 灌胶后, 插头不能有松动现象。
  - 2: AB胶水需耐波峰焊高温。

Engagement force	Rated voltage	Rated current	Rated voltage
≤60N	≤60V	≥20A	≤1000V
Disengagement force	Rated current	Insulation resistance	Rated current
≥20N	≥500	≥1000MΩ	≥20A
Mechanical lifespan	Contact resistance	Operation Temperature	Insulation resistance
≥500	≤10mΩ	-40° C~105° C	≥1000MΩ
IP rating	Flammability		
IP67/IP68	UL94 V-0		

PARTS	MATERIALS	TREATMENT	AMOUNT
A HOUSING	PA66+GF	SPECIFY COLOR	1
B CONTACT	BRASS	GOLD PLATED	11
C OUTER CONTACT	BRASS	NICKEL PLATED	1
D			
E			
F			

Dongguan Junhao Interconnection Technology Co., Ltd  
 东莞市俊豪互连科技有限公司

TITLE: 16P(3+8)板端公头 前锁面版式M16 SMT-23L

TOLERANCE: ±0.05, ±0.10, ±0.20, ±0.30, ±0.50, ±1.0

PART NO: 26-00001-000-000-000

SCALE: 1:1

UNIT: mm

SIZE: A4

REV: A/0

DATE: 2022-08-08

DRAWN: Xie Wenjun

CHECK: Long Jichang